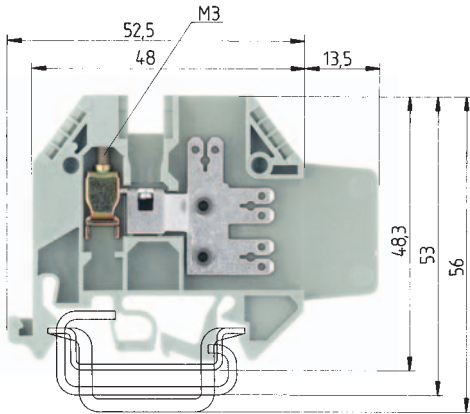
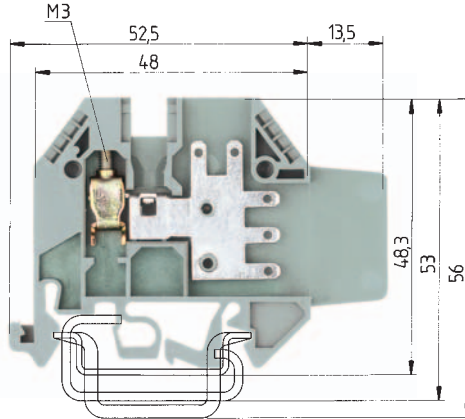


Feed-through terminal blocks with screw/push-on connection

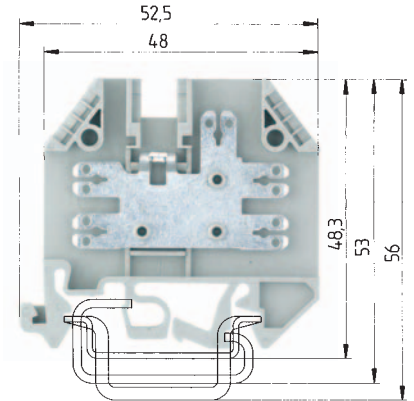
SELOS



Push-on connectors 2.8 x 0.8 according to DIN 46247
Push-on connectors 6.3 x 0.8 according to DIN 46247



Push-on connectors 2.8 x 0.8 according to DIN 46247



Push-on connectors 2.8 x 0.8 according to DIN 46247
Push-on connectors 6.3 x 0.8 according to DIN 46247

WK 4-3-6 S 1 K/IW/U

| | | |
|---|--------------|------|
| fine-stranded solid | V | A |
| 0.5 – 4 mm ² 0.5 – 6 mm ² | 800 V/8 kV/3 | 20*) |
| No. 22-12 AWG | 600 V | 10 |
| No. 22-12 AWG | 300 V | 10 |
| 6 mm | | 9 mm |



WK 4-5 S 2,8 1 K/IW/U

| | | |
|---|--------------|------|
| fine-stranded solid | V | A |
| 0.5 – 4 mm ² 0.5 – 6 mm ² | 800 V/8 kV/3 | 20*) |
| No. 22-12 AWG | 600 V | 10 |
| No. 22-12 AWG | 300 V | 10 |
| 6 mm | | 9 mm |



WK/5-10 S/U

| | | |
|---------------------|--------------|------|
| fine-stranded solid | V | A |
| | 800 V/8 kV/3 | 20*) |
| | 300 V | 10 |
| No. 22-12 AWG | 300 V | 10 |
| 6 mm | | |



| Type | Part No. | Std. Pack | Type | Part No. | Std. Pack | Type | Part No. | Std. Pack |
|------------------------|---------------|-----------|------------------------|---------------|-----------|------------------------|---------------|-----------|
| WK 4-3-6 S 1 K/IW/U | 57.504.2755.0 | 100 | WK 4-5 S 2,8 1 K/IW/U | 57.504.2855.0 | 100 | WK/5-10 S/U | 57.504.3655.0 | 100 |
| 35 x 27 x 7,5 EN 60715 | 98.300.0000.0 | 1 | 35 x 27 x 7,5 EN 60715 | 98.300.0000.0 | 1 | 35 x 27 x 7,5 EN 60715 | 98.300.0000.0 | 1 |
| 35 x 24 x 15 EN 60715 | 98.360.0000.0 | 1 | 35 x 24 x 15 EN 60715 | 98.360.0000.0 | 1 | 35 x 24 x 15 EN 60715 | 98.360.0000.0 | 1 |
| 9006 EN 60715 G-32 | 98.190.0000.0 | 1 | 9006 EN 60715 G-32 | 98.190.0000.0 | 1 | 9006 EN 60715 G-32 | 98.190.0000.0 | 1 |
| WE 2/U | Z5.523.5653.0 | 100 | WE 2/U | Z5.523.5653.0 | 100 | WE 2/U | Z5.523.5653.0 | 100 |
| 9708/2 S 35 | Z5.522.8553.0 | 100 | 9708/2 S 35 | Z5.522.8553.0 | 100 | 9708/2 S 35 | Z5.522.8553.0 | 100 |
| 9708 | Z5.522.7053.0 | 100 | 9708 | Z5.522.7053.0 | 100 | 9708 | Z5.522.7053.0 | 100 |
| AP4 3 S 1 K | 07.311.3855.0 | 10 | AP4 3 S 1 K | 07.311.3855.0 | 10 | AP 5 S | 07.311.4655.0 | 10 |
| | 05.592.7553.0 | 2000 | | 05.592.7553.0 | 2000 | | 05.592.7553.0 | 2000 |
| | 05.592.7653.0 | 2000 | | 05.592.7653.0 | 2000 | | 05.592.7653.0 | 2000 |
| IVB WK 4-2 | Z7.281.1227.0 | 10 | IVB WK 4-2 | Z7.281.1227.0 | 10 | IVB WKI 4-2 | Z7.271.4227.0 | 10 |
| IVB WK 4-3 | Z7.281.1327.0 | 10 | IVB WK 4-3 | Z7.281.1327.0 | 10 | IVB WKI 4-3 | Z7.271.4327.0 | 10 |
| IVB WK 4-12 | Z7.281.2227.0 | 10 | IVB WK 4-12 | Z7.281.2227.0 | 10 | IVB WKI 4-12 | Z7.271.5227.0 | 10 |
| AD VB 4 GELB | 04.326.2153.8 | 10 | AD VB 4 GELB | 04.326.2153.8 | 10 | AD VB 4 GELB | 04.326.2153.8 | 10 |
| AD VB 6/10 GELB | 04.342.0656.8 | 10 | AD VB 6/10 GELB | 04.342.0656.8 | 10 | AD VB 6/10 GELB | 04.342.0656.8 | 10 |
| TS 4 GELB | 07.311.2153.8 | 10 | TS 4 GELB | 07.311.2153.8 | 10 | TS 4 GELB | 07.311.2153.8 | 10 |